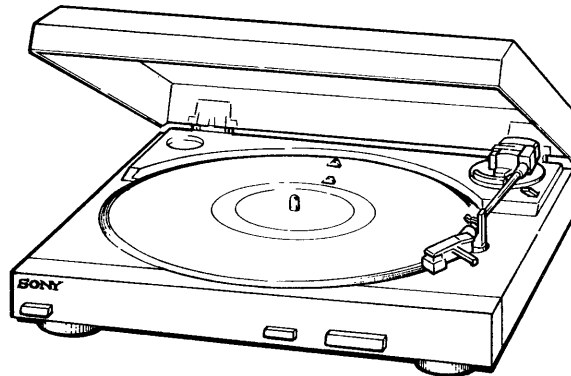


PS-D705/D705P

SERVICE MANUAL

AEP Model
E Model
PS-D705

E Model
UK Model
PS-D705P



PS-D705P is the STEREO
TURNTABLE SYSTEM
in LBT-D505/D505CDM/
D705CD/D705CDM

Photo: PS-D705

SPECIFICATIONS

Turntable	
Platter	30cm (12 in.)
Motor	DC servo motor
Drive system	Belt drive
Speed	33 1/3 rpm/45 rpm switchable
Wow and flutter	0.15% (WRMS)
Signal-to-noise ratio	65 dB (DIN-B)
Automatic system	Return, reject, lead in
Tonearm	
Type	Dynamically balanced
Pivot-to-stylus length	206 mm (7 7/8 in.)
Overall arm length	235 mm (9 3/8 in.)
Cartridge	
Type	Moving magnet type
Frequency response	20 Hz-20kHz
Stylus	ND-155G
General	
Dimensions	355 x 93.5 x 355 mm (w/h/d) (14 x 3 3/4 x 14 inches)
Weight	Approx. 2.6 kg (4 lb 14 oz)
Power requirements	D705: AEP, Germany, Italian models 220 V AC, 50/60 Hz D705: E, Saudi Arabia models 110-120 V, 220-240 V adjustable, 50/60 Hz
Power consumption	4 W
Accessory supplied	45-rpm adaptor (1)
Optional accessory	Replacement stylus ND-155G

Design and specifications subject to change without notice.

Note

This appliance conforms with EEC Directive 87/308/EEC regarding interference suppression.

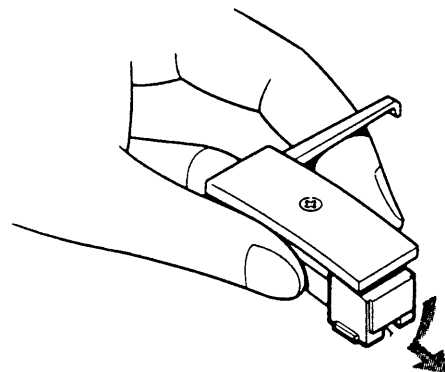
Note for Cartridge

Be careful not to use any cartridge except for specified one (Part No.: 4-944-756-01) as balance weight of pick up arm assembly is fixed.

REPLACING THE STYLUS

Replace the stylus after about 400 hours of use because using a worn stylus will damage records. An ND-155G replacement stylus is available at your Sony dealer. Be sure to turn the amplifier off before proceeding with replacement.

- 1 While holding the cartridge, detach the stylus assembly as illustrated.
- 2 Insert the new stylus into the cartridge.

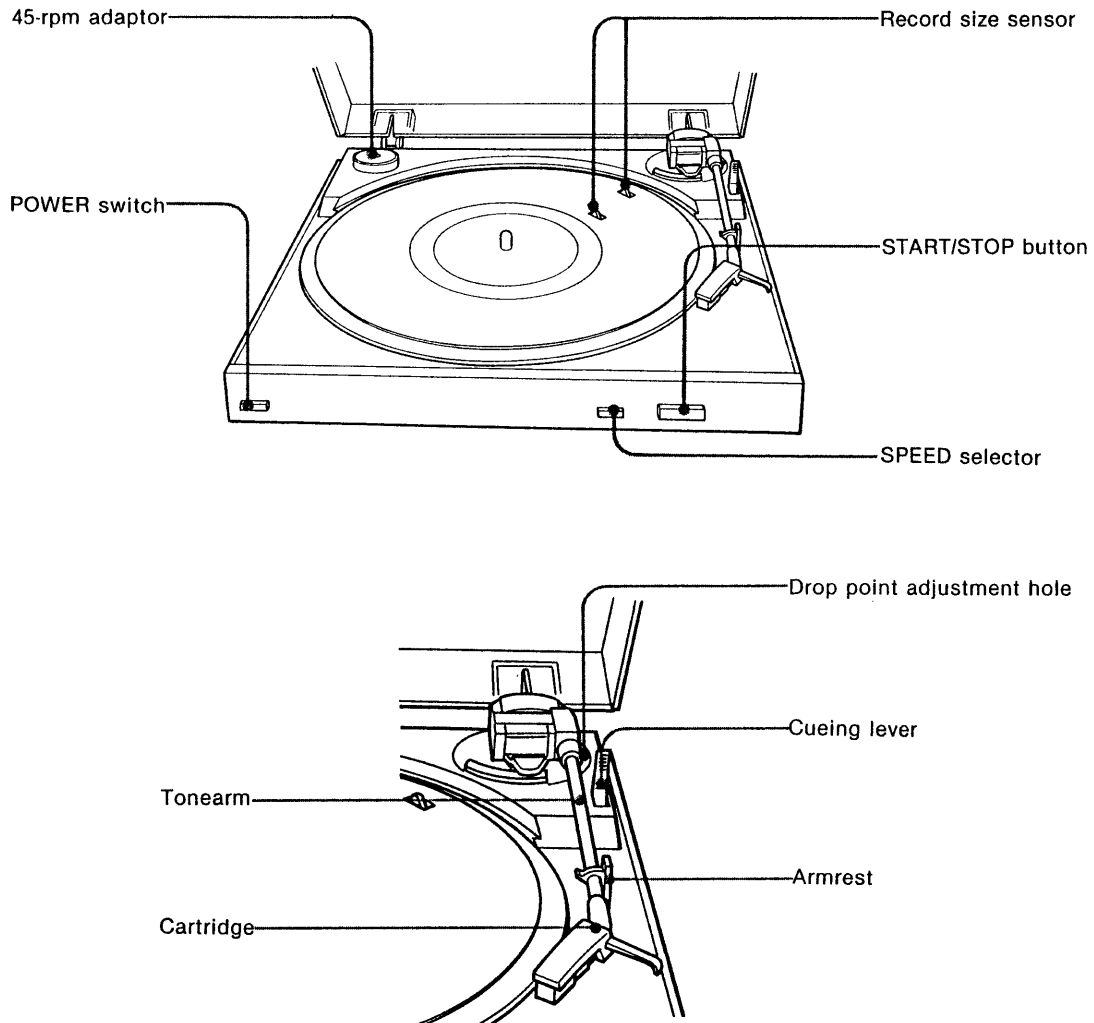


STEREO TURNTABLE SYSTEM
SONY



SECTION 1 GENERAL

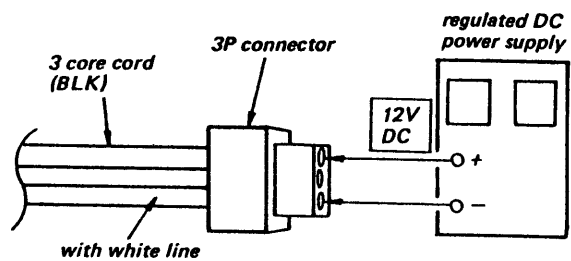
1-1. LOCATION OF CONTROLS



REPAIRING PRECAUTION (PS-D705P only)

[To supply B+ voltage]

The power of this unit is fed from HST-D505 or TA-V705. Because of this, connect the regulated power supply as illustrated right when this unit alone operates.



1-2. TONEARM DROP-POINT ADJUSTMENT

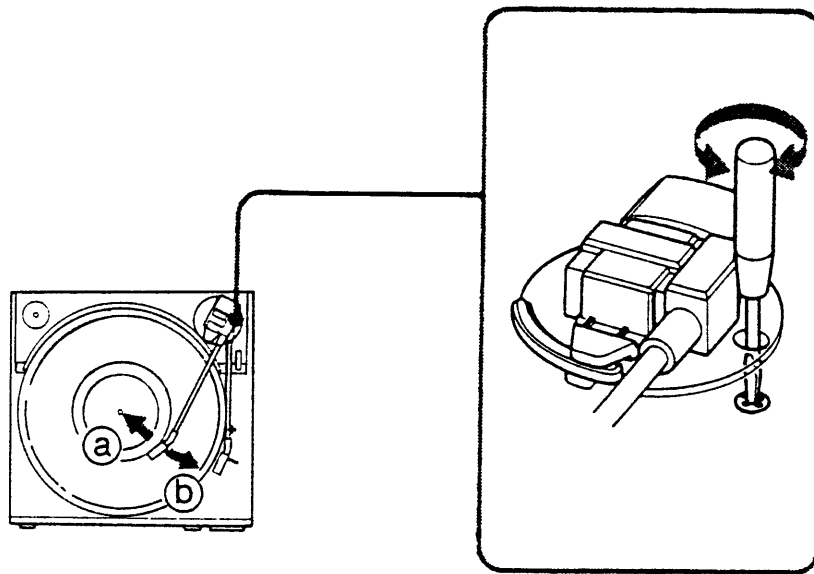
The tonearm drop-point during auto play has been factory-adjusted. If necessary, readjust it as follows.

To readjust the drop-point inward (a), turn the screw clockwise with a screwdriver.

To readjust the drop-point outward (b), turn the screw counterclockwise.

If the tonearm does not return to the arm rest automatically after play

Turn the adjustment screw counterclockwise.



1-3. Speed Adjustment

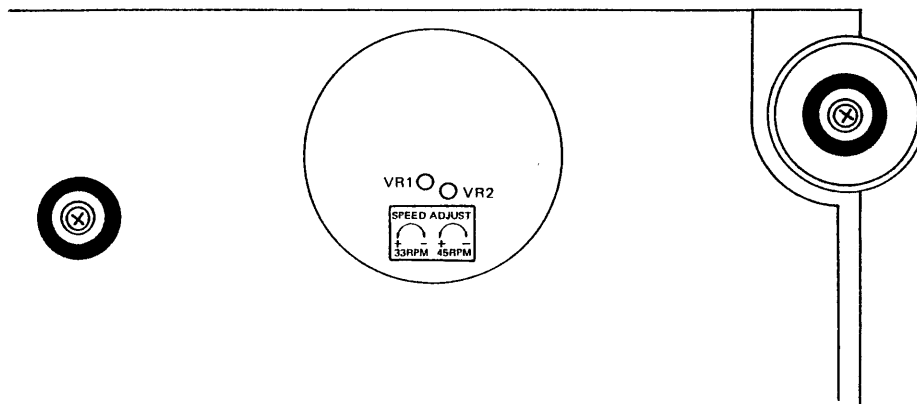
Note: Be sure to perform 45rpm adjustment before 33 rpm.

1. Place a stroboscope board on the turntable sheet.
2. Set the SPEED switch to 45.

Press the START button.

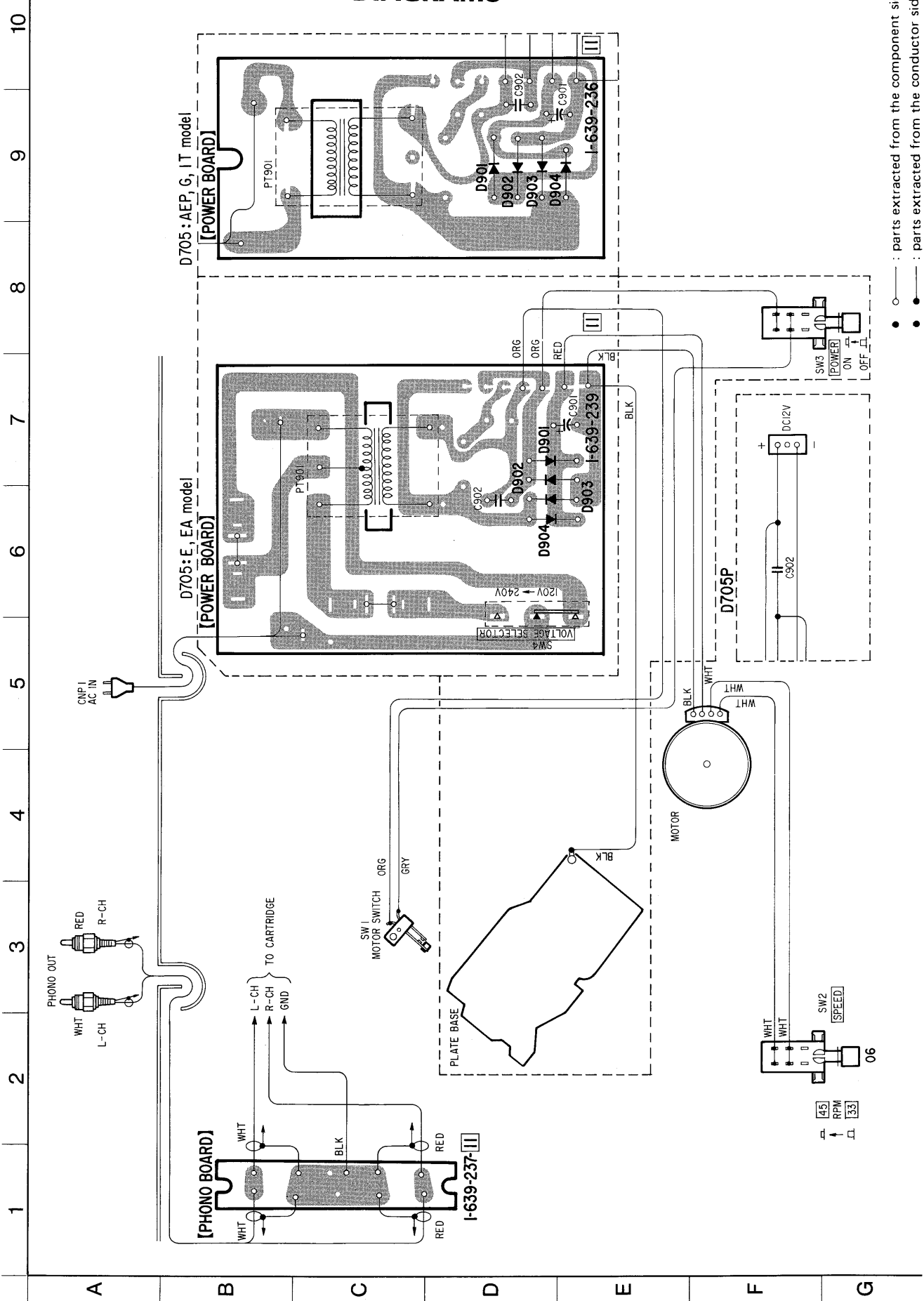
Adjust VR2 so that the stripped pattern of stroboscope board is stationary.

3. Set the SPEED switch to 33.
Adjust VR1 in the same way.

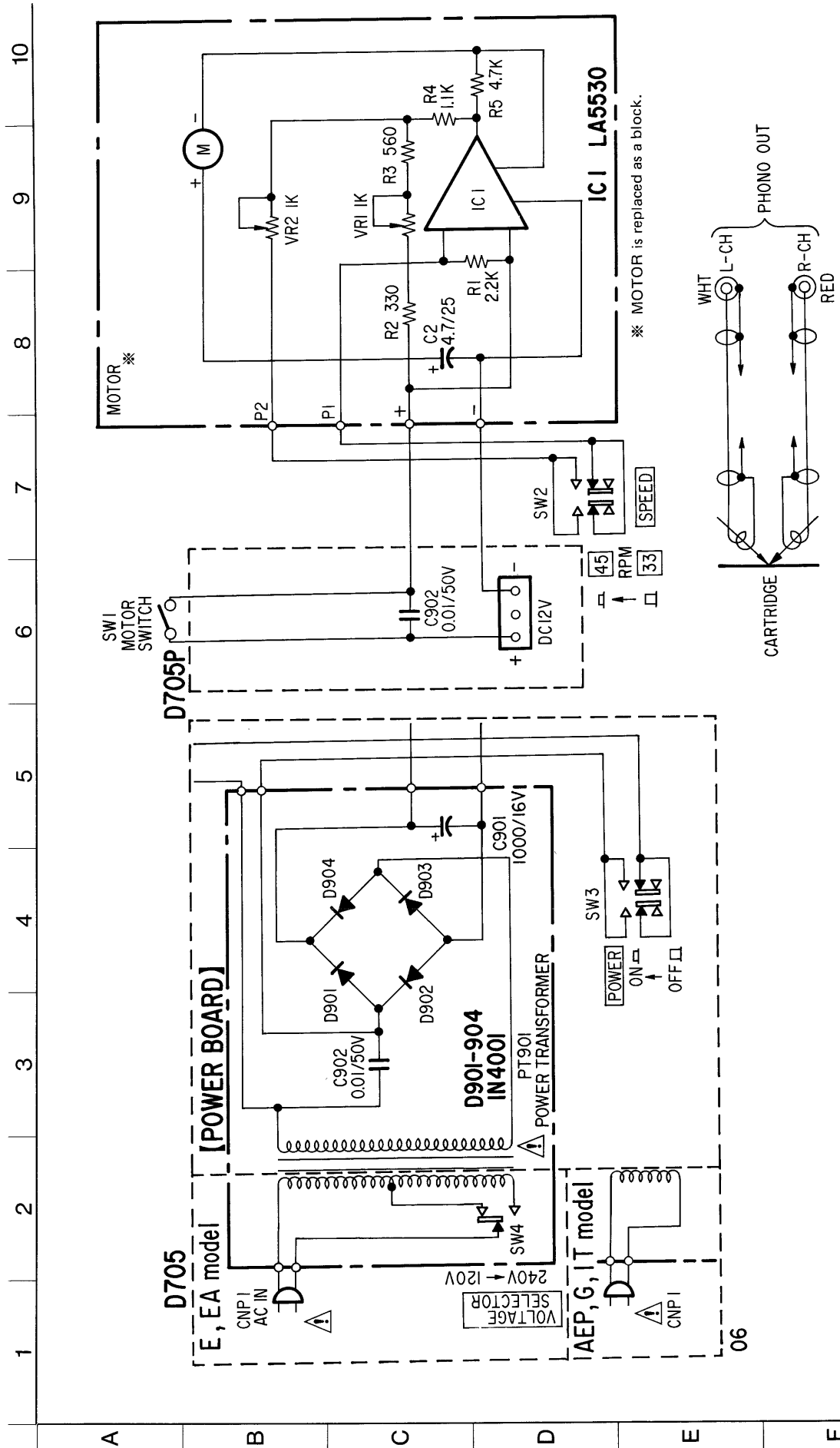


2-1. PRINTED WIRING BOARDS

SECTION 2
DIAGRAMS



2-2. SCHEMATIC DIAGRAM



Note:

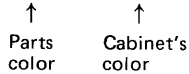
- All capacitors are in μF unless otherwise noted. pF: μpF 50WV or less are not indicated except for electrolytics and tantalums.
- All resistors are in Ω and $\frac{1}{4}$ W or less unless otherwise specified.

Note: The components identified by mark Δ or dotted line with mark Δ are critical for safety. Replace only with part number specified.

SECTION 3 EXPLODED VIEWS

NOTE:

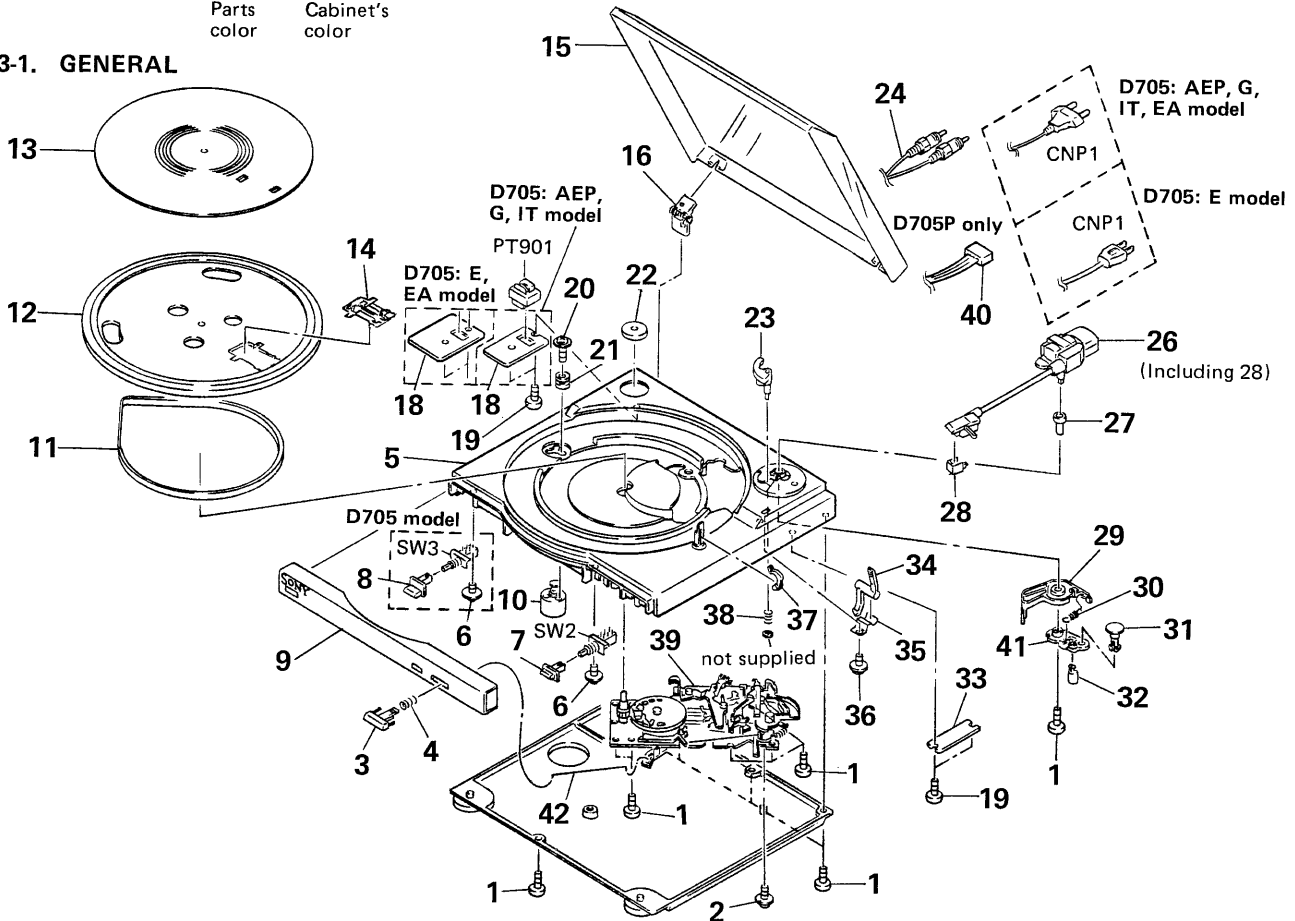
- -XX, -X mean standardized parts, so they may have some differences from the original one.
- Color Indication of Appearance Parts
Example:
KNOB, BALANCE (WHITE) ... (RED)



- Items marked "*" are not stocked since they are seldom required for routine service. Some delay should be anticipated when ordering these items.
- The mechanical parts with no reference number in the exploded views are not supplied.

The components identified by mark or dotted line with mark are critical for safety. Replace only with part number specified.

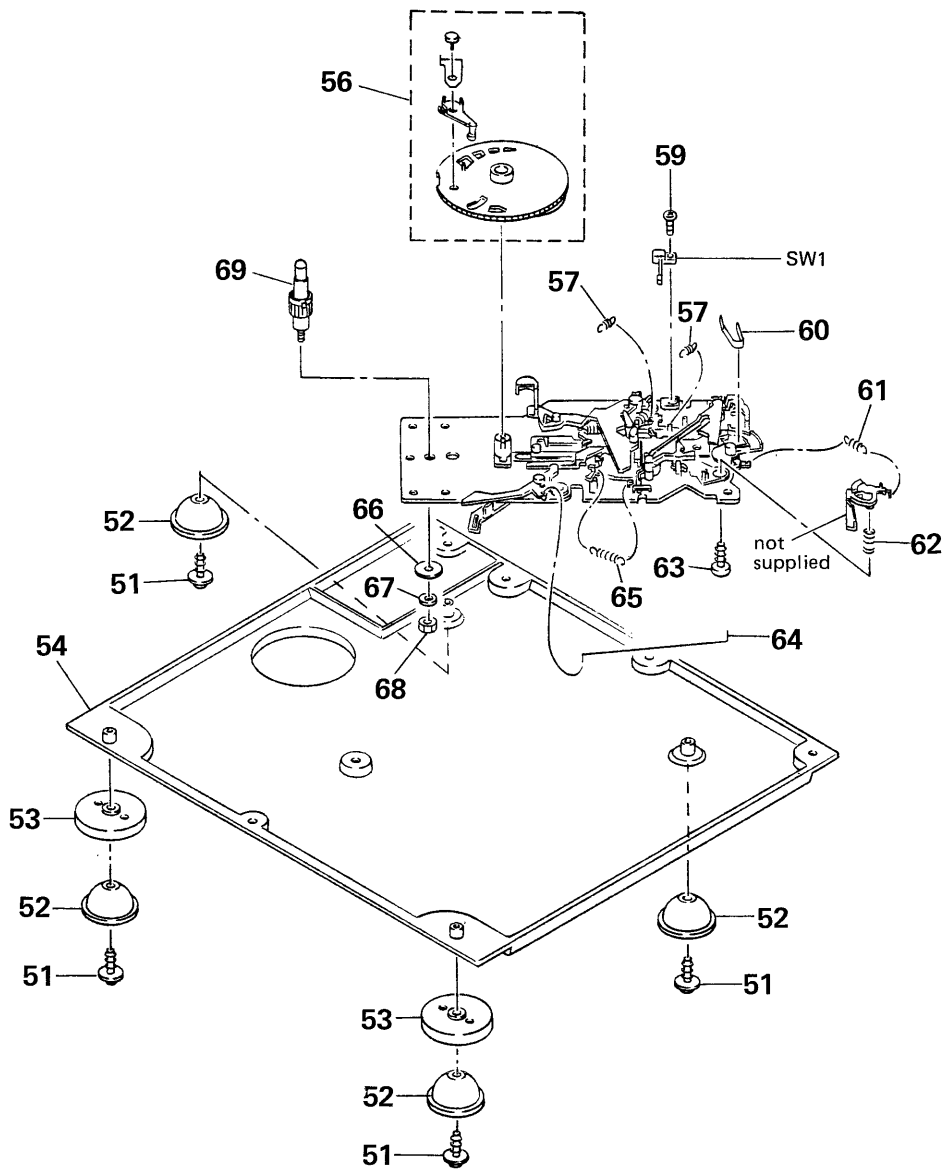
3-1. GENERAL



Ref. No.	Part No.	Description	Remark
1	4-946-233-01	SCREW #2, WPT 3X12Y	
2	4-946-234-01	SCREW #2, WPT 3X10X12Y	
3	4-944-680-01	BUTTON, START STOP	
4	4-944-686-01	SPRING, RETURN	
5	* 4-944-678-01	CABINET, UPPER	
7	4-944-683-01	BUTTON, SPEED	
8	4-944-681-01	BUTTON, POWER	
9	A-4604-887-A	FRONT PANEL (P-G) ASSY (D705P)	
9	A-4604-888-A	FRONT PANEL (B) ASSY (BLACK) (D705:IT, E)	
9	A-4325-129-A	FRONT PANEL (G) ASSY (GRAY) (D705:AEP, G, E, EA)	
10	1-541-872-11	MOTOR, DC (WITH PULLEY)	
11	4-944-743-01	BELT	
12	4-944-744-01	PLATER	
14	A-4325-130-A	SENSOR ASSY	
15	A-4604-844-A	COVER ASSY, DUST	
16	4-944-691-01	HINGE	
18	* 1-639-236-11	POWER BOARD (D705:AEP, G, IT)	
18	* 1-639-239-11	POWER BOARD (D705, E, EA)	
19	4-944-729-01	SCREW	
20	4-944-694-01	SCREW, SETTING MOTOR	
21	4-944-692-01	CUSHION, MOTOR	
22	4-944-682-01	ADAPTOR, EP	

Ref. No.	Part No.	Description	Remark
23	4-944-675-01	ARM, ELEVATION	
24	1-551-294-00	CORD (PHONO)	
26	A-4604-840-A	ARM ASSY, TONE	
27	* 4-944-672-01	BUSHING, TONE ARM	
28	4-944-756-01	CARTRIDGE	
29	4-944-704-01	ARM (B), FEED	
30	4-944-705-01	SPRING, FEED ARM	
31	4-944-759-01	ADJUSTMENT, CAM LEAD IN	
32	4-944-760-01	ADJUSTMENT, CAM LEAD AUTORETURN	
33	* 1-639-237-11	PC BOARD, PHONO	
34	4-944-674-01	LEVER, CUING	
35	* 4-944-685-01	BRACKET, CUING	
36	4-944-695-01	SCREW	
37	4-944-673-01	LOCKER, ARM	
38	4-944-687-01	SPRING, ELEVATION	
39	* A-4604-842-A	MECHANICAL ASSY, BASE	
40	1-590-871-11	CORD (WITH CONNECTOR) 3P (D705P)	
41	4-944-703-01	ARM (A), FEED	
42	4-944-688-01	LINK, START CUT	
	CNP1	1-555-750-00	CORD, POWER (D705:AEP, G, IT, EA)
	CNP1	1-551-188-XX	CORD, POWER (D705:E)
	PT901	1-450-508-11	TRANSFORMER, POWER (D705)
	SW2	1-572-744-11	SWITCH, PUSH (SPEED)
	SW3	1-572-744-11	SWITCH, PUSH (POWER) (D705)

3-2. MD SECTION



Ref. No.	Part No.	Description	Remark	Ref. No.	Part No.	Description	Remark
51	4-946-234-01	SCREW #2, WPT 3X10X12Y		62	4-944-722-01	SPRING, CUING CAM	
52	4-944-693-01	RUBBER, FOOT		64	4-944-727-01	LINK, REJECT	
53	4-944-679-01	COVER, FOOT		65	4-944-724-01	SPRING, MECHANICAL	
54	* 4-944-684-01	COVER, BOTTOM		66	4-944-731-01	WASHER, RAIN	
56	A-4325-128-A	RING GEAR ASSY		67	4-944-732-01	WASHER, SPRING	
57	* 4-944-725-01	SPRING, SWITCH		68	4-944-730-01	NUT	
59	4-944-728-01	SCREW		69	A-4604-892-A	CENTER SHAFT ASSY	
60	* 4-944-726-01	BRACKET, LOCKER		SW1	1-572-746-11	SWITCH, LEAF	
61	4-944-723-01	SPRING, CONTROL					

POWER

**SECTION 4
ELECTRICAL PARTS LIST**

NOTE:

- Due to standardization, replacements in the parts list may be different from the parts specified in the diagrams or the components used on the set.
- -XX, -X mean standardized parts, so they may have some difference from the original one.
- RESISTORS
All resistors are in ohms
METAL: Metal-film resistor
METAL OXIDE: Metal Oxide-film resistor
F: nonflammable

- Items marked " * " are not stocked since they are seldom required for routine service. Some delay should be anticipated when ordering these items.
- SEMICONDUCTORS
In each case, u: μ , for example:
uA...: μ A..., uPA...: μ PA...,
uPB...: μ PB..., uPC...: μ PC...,
uPD...: μ PD...
- CAPACITORS
uF: μ F
- COILS
uH: μ H

The components identified by mark Δ or dotted line with mark Δ are critical for safety. Replace only with part number specified.

Ref.No.	Part No.	Description	Remark
	* 1-639-236-11	POWER BOARD *****	
		< CAPACITOR >	
C901	1-124-360-00	ELECT 1000uF	20% 16V
C902	1-136-153-00	FILM 0.01uF	50V
		< DIODE >	
D901	8-719-200-02	DIODE 10E2	
D902	8-719-200-02	DIODE 10E2	
D903	8-719-200-02	DIODE 10E2	
D904	8-719-200-02	DIODE 10E2	
		< SWITCH >	
SW4	Δ 1-572-745-11	SELECTOR, POWER (D705:E)	
		< TRANSFORMER >	
PT901	Δ 1-450-508-11	TRANSFORMER, POWER (D705)	

		MISCELLANEOUS *****	
10	1-541-872-11	MOTOR, DC (WITH PULLEY)	
18	* 1-639-239-11	POWER BOARD (D705, E, EA)	
24	1-551-294-00	CORD (PHONO)	
33	* 1-639-237-11	PC BOARD, PHONO	
40	1-590-871-11	CORD (WITH CONNECTOR) 3P (D705P)	
CNP1	Δ 1-551-188-XX	CORD, POWER (D705:E)	
CNP1	Δ 1-555-750-00	CORD, POWER (D705:AEP, G, IT, EA)	
SW1	1-572-746-11	SWITCH, LEAF	
SW2	1-572-744-11	SWITCH, PUSH (SPEED)	
SW3	1-572-744-11	SWITCH, PUSH (POWER) (D705)	

Ref.No.	Part No.	Description	Remark
		ACCESSORY & PACKING MATERIAL *****	
	3-753-056-11	MANUAL, INSTRUCTION (ENGLISH, FRENCH, SPANISH, PORTUGUESE) (D705:AEP, E, EA)	
	3-753-056-41	MANUAL, INSTRUCTION (GERMAN, DUTCH, SWEDISH, ITALIAN) (D705:AEP)	
	* 4-944-747-01	CARTON (D705:AEP)	
	* 4-944-751-01	CARTON (D705P:UK)	
	* 4-944-752-01	CARTON (D705/D705P:E)	
	* 4-944-753-01	CARTON (D705:G, EA)	
	* 4-944-754-01	CARTON (D705:IT)	
	* 4-944-749-01	CUSHION (FRONT)	
	* 4-944-750-01	CUSHION (REAR)	

PS-D705/D705P

SONY SERVICE MANUAL

*AEP Model
E Model
PS-D705*

*E Model
UK Model
PS-D705P*

CORRECTION-1

Correct your service manual as shown below.

 : indicates corrected portion.

Page	INCORRECT			CORRECT	
	<u>No.</u>	<u>Part No.</u>	<u>Discription</u>	<u>Part No.</u>	<u>Discription</u>
6	13			<u>4-950-309-01</u>	<u>SEET, RUBBER</u>